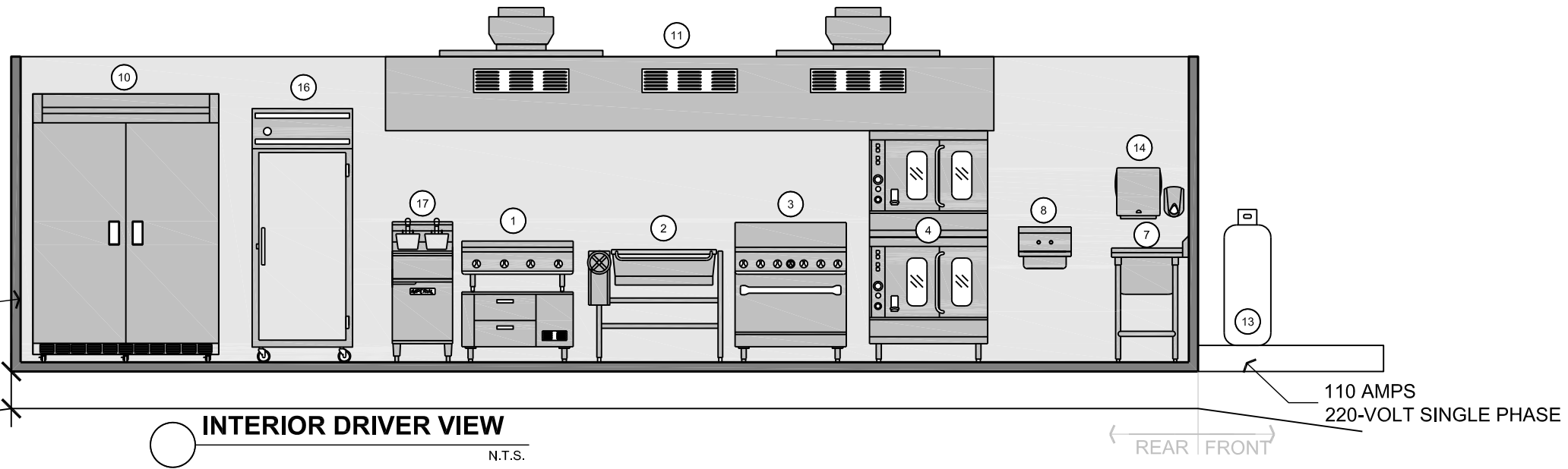


EQUIPMENT CALLOUTS

1. 36" FLAT TOP
 2. 30 GALLON TILT SKILLET
 3. 6 BURNER RANGE
 4. DUAL STACKED CONVENTIONAL OVEN
 5. 8'-0" STAINLESS STEEL PREP TABLE
 6. METRO SHELVING
 7. 3 COMPARTMENT SINK WITH DRY/DIRTY LANDING TRAYS
 8. WALL MOUNTED HAND SINK
 9. HAND-SOAP DISPENSER
 10. 60" REACH IN COOLER
 11. EXHAUST HOOD
 12. STAINLESS STORAGE SHELF
 13. (3) 25 GALLON PROPANE TANKS
 14. PAPER TOWEL DISPENSER
 15. DISH DRYING RACK
 16. 30" REACH IN FREEZER
 17. 2 BAY DEEP FRYER
 18. NOT SHOWN
- A. ELECTRIC BRAKES AND HEAVY-DUTY SUSPENSION.
 B. EXTRA 120v 220 AMP OUTLETS
 C. ALUMINUM WALLS AND ALUMINUM DIAMOND PLATE FLOOR
 D. FIRE SUPPRESSION SYSTEM
- UTILITY CONNECTIONS:
 A. ELECTRICAL: 100 AMPS, 220-VOLT SINGLE PHASE
 B. SUPPLY WATER: STANDARD HOSE BIB CONNECTION
 C. GRAY WATER: STANDARD RV STYLE HOSE CONNECTION
 D. PROPANE GAS: APPROX. 750,000 BTU OF CONNECTED EQUIPMENT.

12" FROM BOTTOM OF TRAILER TO SURFACE

1'-0"



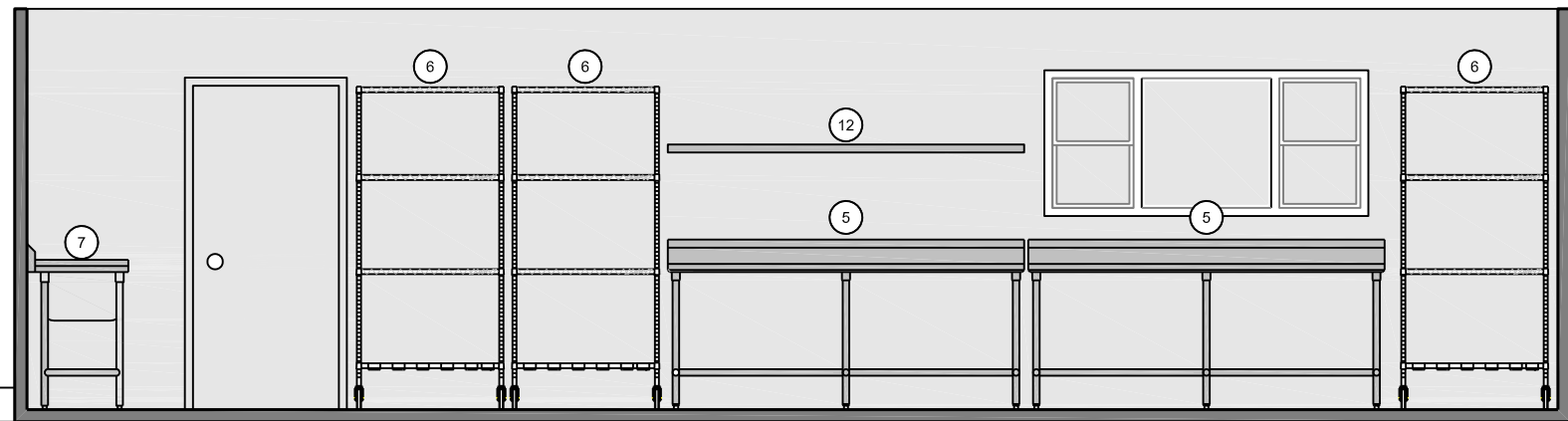
INTERIOR DRIVER VIEW

N.T.S.

110 AMPS
220-VOLT SINGLE PHASE

REAR FRONT

12" FROM BOTTOM OF TRAILER TO SURFACE

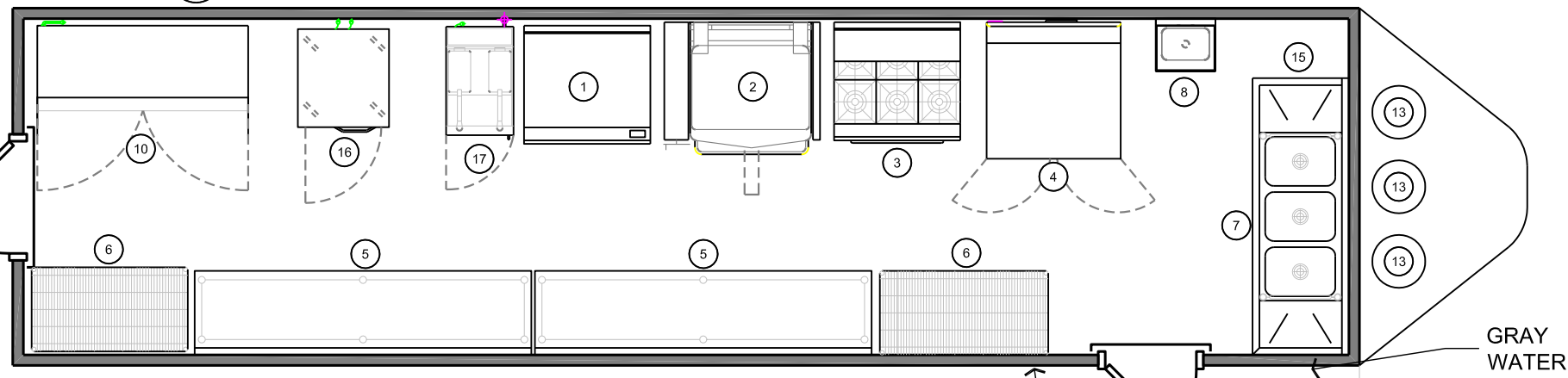


INTERIOR PASSENGER VIEW

N.T.S.

FRONT REAR

8'-6"



FLOOR PLAN (TOP VIEW)

N.T.S.

WATER SUPPLY

GRAY WATER

REAR FRONT

32'-0" COMMERCIAL KITCHEN

JOB NAME KT-32B

ADDRESS

CALIFORNIA MOBILE KITCHEN

