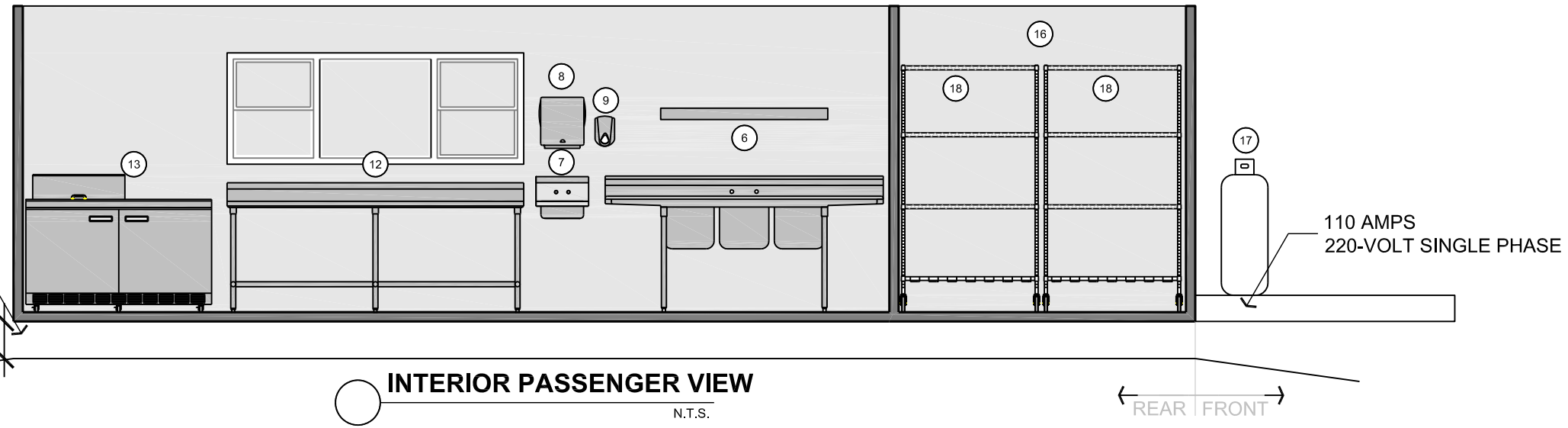


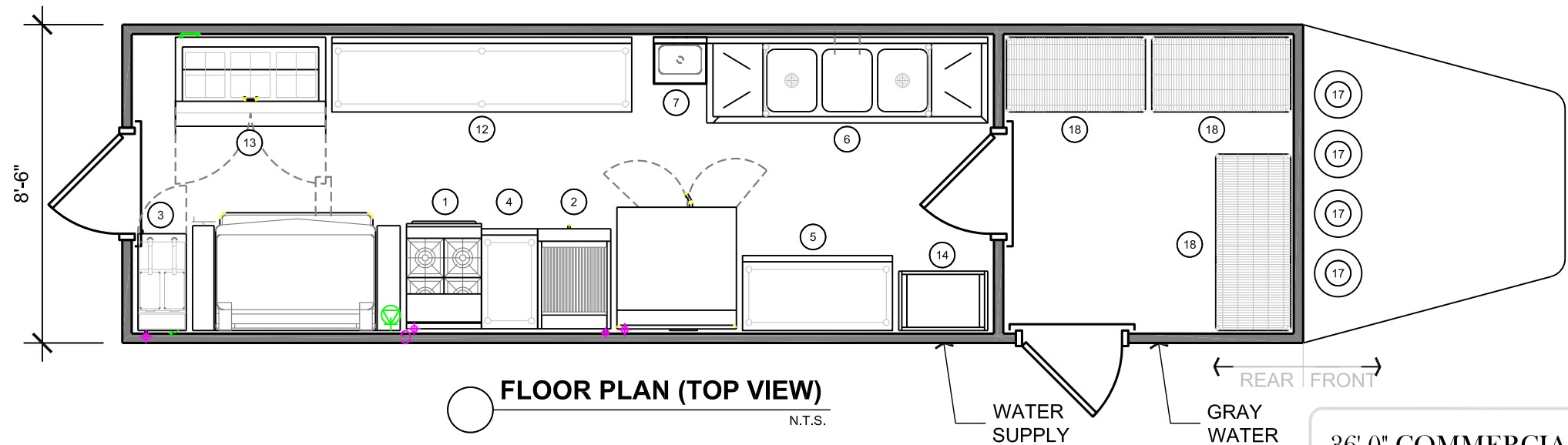
INTERIOR DRIVER VIEW

N.T.S.



INTERIOR PASSENGER VIEW

N.T.S.



FLOOR PLAN (TOP VIEW)

N.T.S.

- EQUIPMENT CALLOUTS**
1. 4 BURNER RANGE
 2. 24" CHAR-BROILER
 3. 2 BAY DEEP FRYER
 4. 18" STAINLESS STEEL PREP TABLE
 5. 48" STAINLESS STEEL PREP TABLE
 6. 3 COMPARTMENT SINK WITH DRY/DIRTY LANDING TRAYS
 7. WALL MOUNTED HAND SINK
 8. PAPER TOWEL DISPENSER
 9. HAND-SOAP DISPENSER
 10. (4) 25 GALLON PROPANE TANKS
 11. EXHAUST HOOD
 12. 8'-0" STAINLESS STEEL PREP TABLE
 13. 48" SANDWICH PREP TABLE
 14. SPEED PAN RACK
 15. WALK-IN COOLER
 16. DISH DRAIN RACK
 17. PROPANE TANK
 18. METRO SHELVING UNITS
 19. NOT SHOWN
- A. ELECTRIC BRAKES AND HEAVY-DUTY SUSPENSION.
 B. EXTRA 120v 220 AMP OUTLETS
 C. ALUMINUM WALLS AND ALUMINUM DIAMOND PLATE FLOOR
 D. FIRE SUPPRESSION SYSTEM
- UTILITY CONNECTIONS:
 A. ELECTRICAL: 100 AMPS, 220-VOLT SINGLE PHASE
 B. SUPPLY WATER: STANDARD HOSE BIB CONNECTION
 C. GRAY WATER: STANDARD RV STYLE HOSE CONNECTION
 D. PROPANE GAS: APPROX. 750,000 BTU OF CONNECTED EQUIPMENT.

36'-0" COMMERCIAL KITCHEN	
JOB NAME	KT-36A
ADDRESS	
CALIFORNIA MOBILE KITCHEN	

