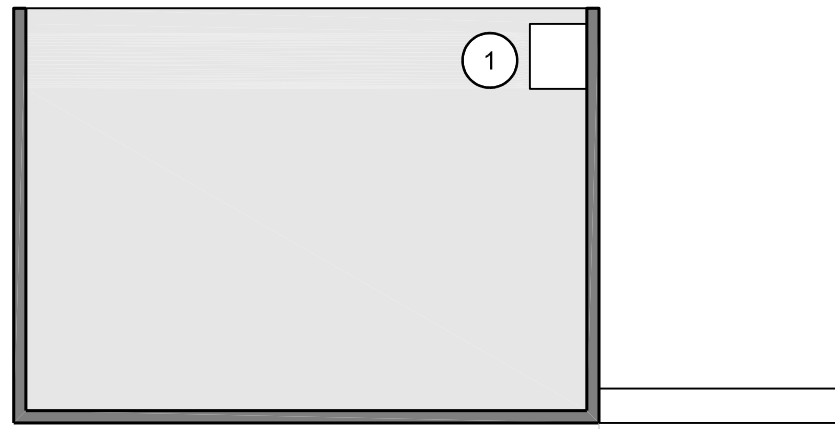
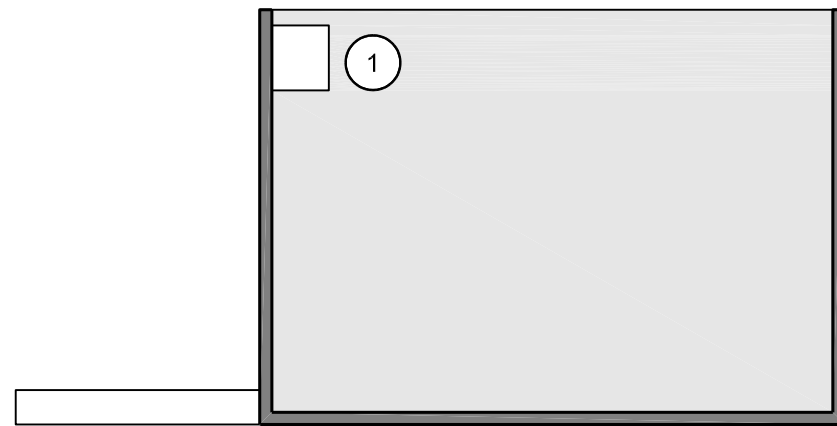


○ EQUIPMENT CALLOUTS

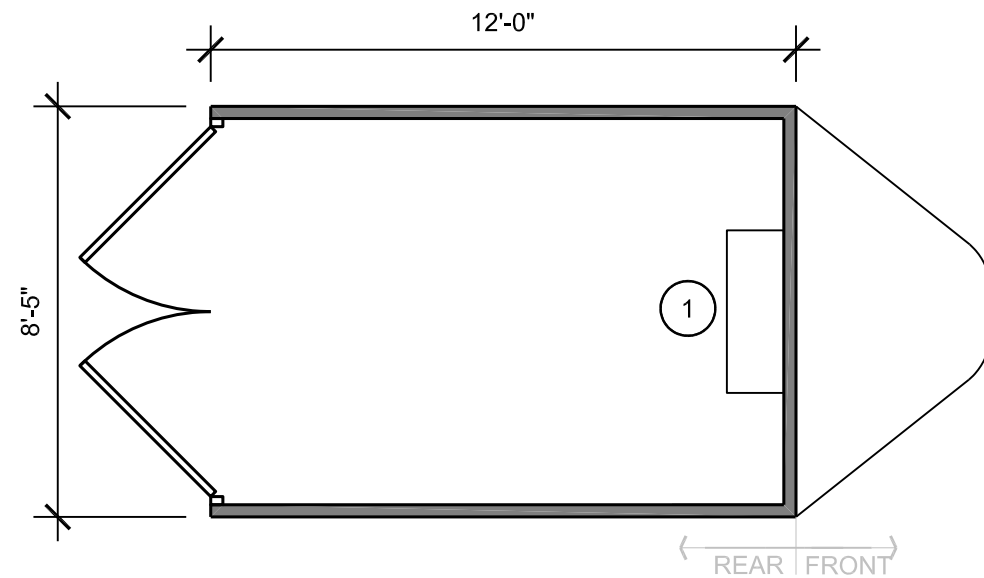
1. REFRIGERATOR UNIT



○ **INTERIOR DRIVER VIEW**
N.T.S.



○ **INTERIOR PASSENGER VIEW**
N.T.S.



○ **FLOOR PLAN (TOP VIEW)**
N.T.S.

12'-0" MOBILE REFRIGERATION TRAILER

JOB NAME RT-12B

ADDRESS

CALIFORNIA MOBILE KITCHEN

